

PATENTED
 142711
 M278511
 M287204
 M320459
 M338717

V-13~15

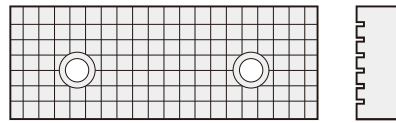
MULTI-POWER CNC SUPER VICE

Model: HPAQ-160, 200, 250,
160L, 200L

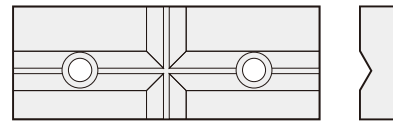


- Shortest Length with Big Jaw Opening
- Extremely High Accuracy and Repeatability
- Special MULTI-POWER design enhances clamping force of **0~8000KG**

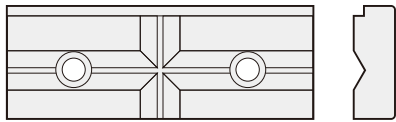
OPTIONAL ACCESSORIES:



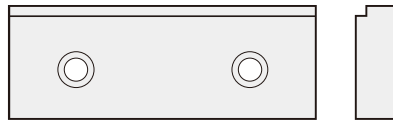
1) Cross Grooved Jaws



2) 'V' Jaws

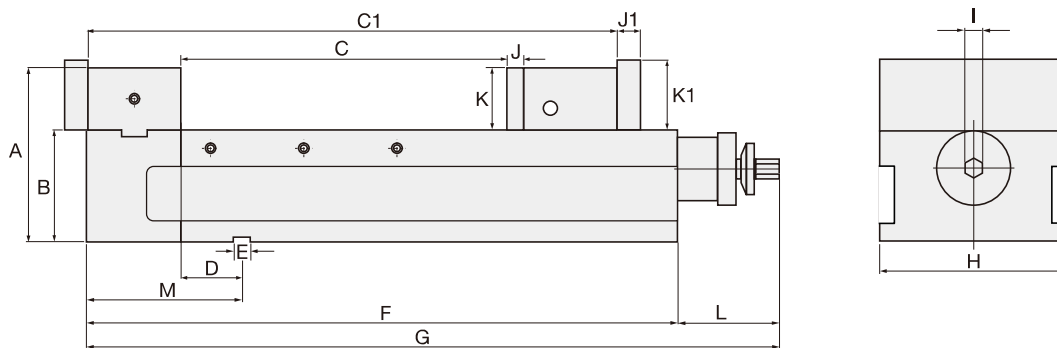


3) Combined Jaws



4) Step Jaws

DIMENSIONS



SPECIFICATIONS (Material: FCD 60 Ductile Iron. Hardness: HRC 50°)

Unit: mm

NO	Model	A	B	C	C1	D	E	F	G	H
V-13	HPAQ-160	168	115±0.01	0-300	195-490	57±0.02	18	560	677	160
V-14	HPAQ-200	187	120±0.01	0-350	220-570	66±0.02	18	637	754	200
V-15	HPAQ-250	187	120±0.01	0-350	220-580	66±0.02	18	646	763	250
V-13L1	HPAQ-160L-400	168	115±0.01	0-400	206-600	57±0.02	18	665	792	160
V-13L2	HPAQ-160L-500	168	115±0.01	0-500	206-700	57±0.02	18	765	892	160
V-13L3	HPAQ-160L-650	168	115±0.01	0-650	206-860	57±0.02	18	925	1042	160
V-14L1	HPAQ-200L-480	187	120±0.01	0-480	236-710	66±0.02	18	795	912	200
V-14L2	HPAQ-200L-730	187	120±0.01	0-730	236-960	66±0.02	18	1045	1162	200
V-14L3	HPAQ-200L-1140	187	120±0.01	0-1140	236-1370	66±0.02	18	1435	1560	200
NO	Model	I	J	J1	K	K1	L	M	Max. Clamping Force	Weight (kg)
V-13	HPAQ-160	19	15	21	53	63	117	145	8000 kg	73
V-14	HPAQ-200	19	18	25	66	75	117	168	8000 kg	120
V-15	HPAQ-250	19	18	25	66	75	117	168	8000 kg	156
V-13L1	HPAQ-160L-400	19	15	21	53	63	117	145	8000 kg	83
V-13L2	HPAQ-160L-500	19	15	21	53	63	117	145	8000 kg	92
V-13L3	HPAQ-160L-650	19	15	21	53	63	117	145	8000 kg	107
V-14L1	HPAQ-200L-480	19	18	25	66	75	117	168	8000 kg	144
V-14L2	HPAQ-200L-730	19	18	25	66	75	117	168	8000 kg	175
V-14L3	HPAQ-200L-1140	19	18	25	66	75	117	168	8000 kg	217